

Smartgate

Every day, businesses and organizations must manage their employees coming and going. For many, the solution has been swiping badges – first to gain entry to a building, then perhaps at other locations to access even more secure venues.

Smartgate’s face recognition technology does at that – more quickly and securely, not to mention avoiding the challenges that come with updating badges and other hardware.

Our Solution

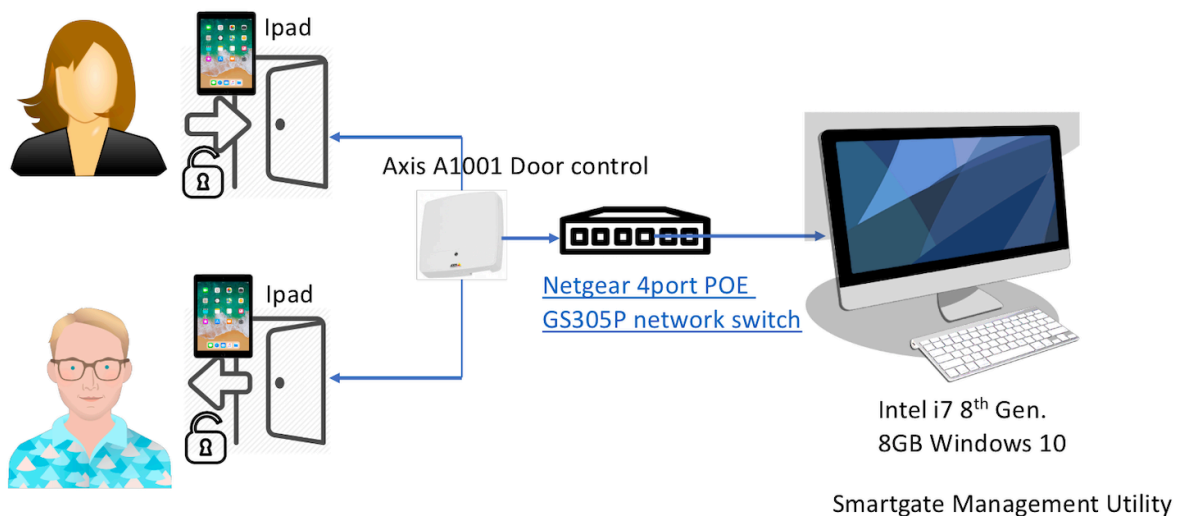
Smartgate uses Ayonix’s acclaimed face recognition and authentication engine, which can be seamlessly integrated into standard workflows.

After individuals are enrolled into Smartgate, authorization levels are assigned, which extends to assigning a user to each access camera. When an approved individual reaches an access point, the door can be opened automatically to grant entry. At any moment, clients can add, modify or removed an assigned camera, as well as schedule when authorized users are allowed access. An intuitive dashboard provides for up-to-time monitoring and reporting, as well as allows for checking individual user profiles and cameras.

Smartgate Benefits

- ✓ Control access to a facility’s entrance and designated interior areas
- ✓ Process matches quickly to keep business moving smoothly
- ✓ Change authorizations in real time

Smartgate structure



About Ayonix: Ayonix Face Technologies is the pioneering developer of one of the world’s leading 3D face recognition technologies. Built on advanced mathematical approaches and pattern recognition, its platform offers real-time results that are the fastest and most accurate in the world, according to NIST results.

Ayonix Corporation – Global Headquarters
1-10-7-508 Higashi Gotanda, Shinagawa, Tokyo
+81 3 6277 2311, +81 80 9816 1234
<https://ayonix.com>, sales@ayonix.com